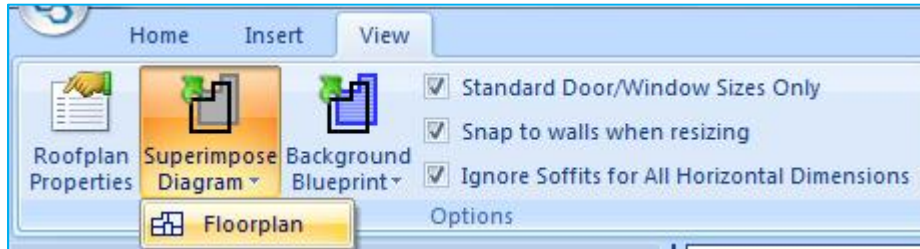


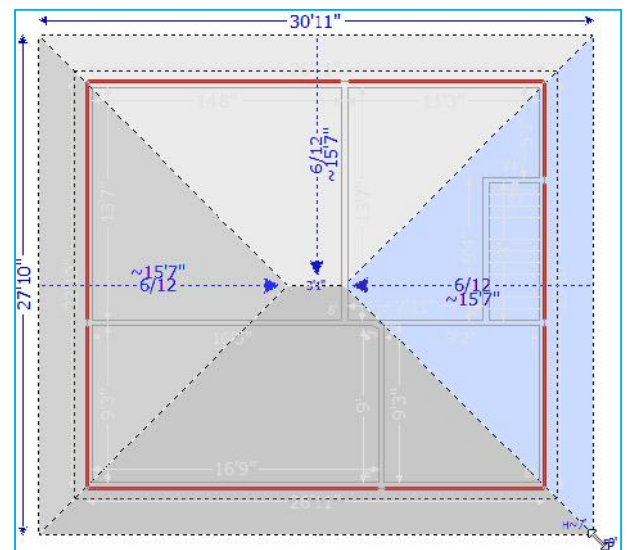
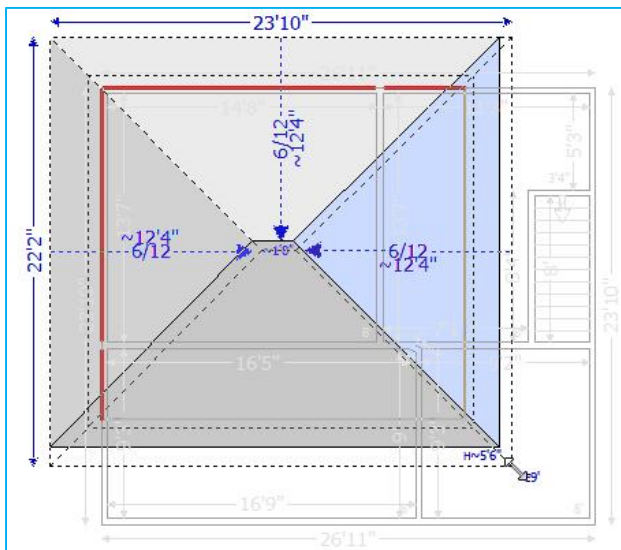
DRAWING A ROOFPLAN OVER TOP OF A FLOORPLAN

If you have already diagrammed a floorplan, it can act as a guideline to help you diagram a roofplan accurately and efficiently. To begin, turn on the superimposed image of the floorplan you wish to use as a guide. This can be done from the **View** ribbon by selecting the **Superimpose Diagram** button. Select the floorplan to be superimposed onto the roof diagram canvas. Once you have completed the roofplan drawing, the superimposed image can be **turned off by deselecting** the floorplan that appears in orange.



Use the superimposed image of the floorplan as a guide to draw the roofplan. Use the colored border lines to assist with placement and alignment of the core roof shape. After selecting your desired roof shape, start at the **top left corner** and drag down and to the right. Use the **square sizing handles** found in the corners of the shape to adjust the size and alignment. If colored lines appear all the way around the perimeter of the superimposed floorplan, the roof is aligned properly. The colored lines will only appear if you are pulling on the square sizing handles. Once the roof shape is in no longer being sized, the lines disappear.

NOTE: If there is a break in the colored lines, return to the floorplan diagram and verify that all the rooms are aligned. Rooms with flush alignment will be indicated by a long blue exterior line, surrounding the perimeter of the floorplan.



NOTE: The pictures above display red lines to indicate alignment. The default color of these lines is orange. You can change this setting

