

A 2D diagram of an exterior may be created using the default shapes provided within the Shape Tray. You can create the diagram manually by drawing and sizing the exterior of a structure. After manually creating a diagram use the **Surface 2D** ribbon to add windows, doors, openings, etc.

Use the sizing handles to adjust the dimensions of the diagram. Each shape drawn may be repositioned and snapped onto any adjacent shape.

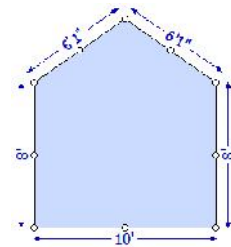
If a situation arises where only a partial exterior diagram is required, a 2D diagram may be created for each facing of the structure's exterior.

Icon	Tool Name	Descriptions
	2D Rectangle	A basic rectangular surface
	2D Triangle	A basic triangular surface

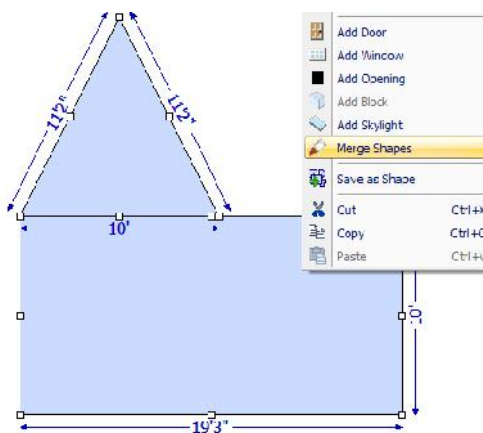
MODIFYING 2D SHAPES



Select the **Vertex Mode** icon from the **Surface 2D** ribbon. Vertex Mode allows you to modify the vertices of a shape to create new corners or modify a shape's angles. Drag the circular knobs to adjust the angles of a shape.



MERGING 2D SHAPES



After snapping shapes together, those shapes may be permanently joined by **selecting** the shapes and **right clicking** one of the shapes. Select the **Merge Shapes** option from the drop-down menu. The merged shapes now behave as one shape.

